

VESDANET SOCKET MODULE

VRT-300



VESDANet Socket Module (VRT-300)

The VESDANet socket is a 15-pin female connector which enables the VESDA hand-held LCD Programmer and HLI to be connected to a VESDANet network for configuration, control and monitoring.

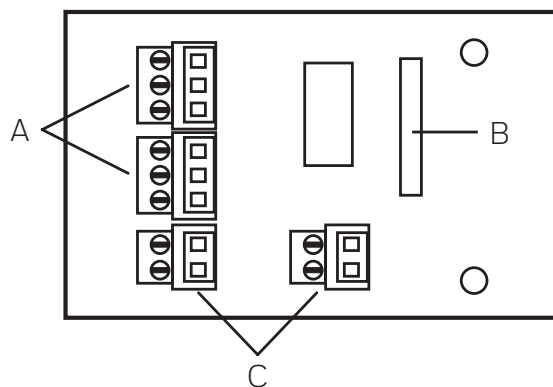
A VESDANet socket is also located on the termination card of VESDANet capable detectors. On the other hand, the VESDANet socket module includes a VESDANet socket card which consists of a VESDANet socket, VESDANet and power terminals.

The VESDANet socket module can be mounted onto a remote box or a 19" Subrack, enabling access to a VESDANet network from a remote location.

Operation of VESDANet Socket Module

The VESDANet socket module requires an external 24VDC. The VESDANet terminals on the VESDANet socket card enable VESDANet communication wires to be brought into the VESDANet socket module and looped out to another device. Data communication on VESDANet is bidirectional. The polarity of the data wires must be maintained throughout the VESDANet network. It is recommended that RS 485 (Belden 9841 - 120 ohm) twisted pair cables be used.

VESDANet Socket Card



Legend	
A	VESDANet Terminals
B	Connector for VESDANet Socket
C	Power Supply Terminals

Features

- Communication with VESDANet
- Designed for easy mounting

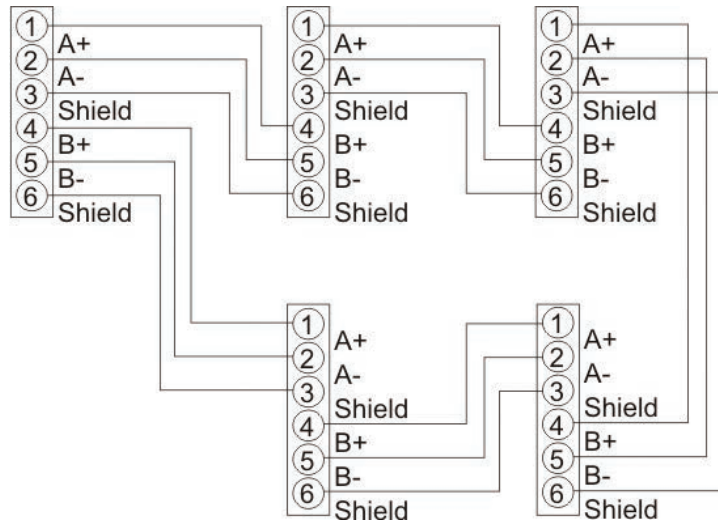
Listings / Approvals



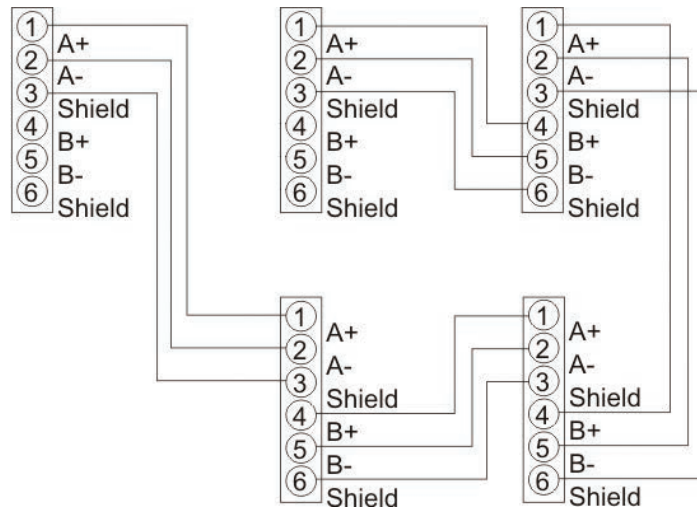
VESDANET SOCKET MODULE

TECHNICAL SPECIFICATIONS

VESDANet Wiring – Closed Loop



VESDANet Wiring – Open-Ended Loop



Specifications

Input Voltage	24V DC nominal (18-30V DC)
Current	8.33mA @ 200mW
Dimension (W x H x D)	140 mm x 150 mm x 85 mm
Operating Conditions	Tested to: -10°C to 55°C (14°F to 131°F) Recommended Detector Ambient: 0°C to 39°C (32° to 103°F) Humidity: 10% to 95% RH, non-condensing
Mounting	Key hole mounting
Color	Grey

Ordering Information

Ordering Code	Description
VRT-300	VESDANet Socket Module