

VESDA SLIDING WINDOWS HLI™

WALL-MOUNTED VHX-1200



The VESDA Wall-Mounted Sliding Windows High Level Interface (HLI) links your VESDAnet* with PC software monitoring and configuring tools such as Xtralis VSM4 and Xtralis VSC. The Wall-Mounted Sliding Windows HLI includes a built-in VESDAnet socket card.



Direct Access to the Network

By interfacing with PC monitoring and configuring tools, the Wall-mounted HLI allows you to easily configure, manage and monitor your entire VESDA network. The built-in VESDAnet socket card makes the Wall-mounted HLI a cost effective solution to your interface requirements. The Wall-mounted HLI receives its voltage supply of 24VDC from the VESDAnet socket card, therefore an additional power supply is not required.

Remote Installation

Connecting to your VESDAnet is easy and convenient because the Wall-mounted HLI does not need to be mounted near an VESDA smoke detector.

The Wall-mounted HLI can be mounted in an easy-to-access, remote location away from your detectors, such as on a wall near your PC.

Simple Configuration and Seamless Data Transfer

Your HLI is easily configured using your PC and Xtralis VSC or Xtralis VSM4 software packages. The Wall-mounted HLI VHX-1200 provides seamless data transfer from your VESDAnet to your PC.

*VESDAnet is a proprietary communications protocol allowing your VESDA range of smoke detectors, displays, programmers and remote units (collectively known as devices) to communicate with each other on one network. VESDAnet is a fault tolerant bi-directional protocol: if one direction of communication fails, then your VESDAnet messages are transmitted in the opposite direction.

Features

- Direct access and monitoring of your entire VESDAnet system
- Built-in VESDAnet Interface socket card (provides communication and power to the HLI)
- Convenient wall-mounted design
- Seamless data transfer on networks of up to 200 VESDA devices
- Easily configured using Xtralis configuring and monitoring software packages

Listings / Approvals



VESDA HLIs are recommended for monitoring only. They are not approved for use as a primary reporting device.

VESDA SLIDING WINDOWS HLI™

TECHNICAL SPECIFICATIONS

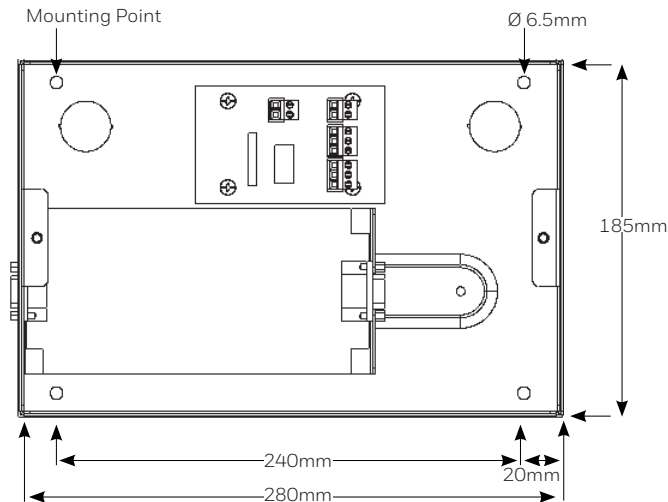


VESDA Wall-mounted Sliding Windows High Level Interface

	Number of Devices Connected to VESDAnet	Modem Support (Dial in/Dial out Feature)	Use with Xtralis Software Packages
VHX-1200 Wall-mounted (with VESDAnet Interface socket)	Up to 200	No	Yes

Note: Consult Xtralis or your local Xtralis distributor for network designs with more than 100 devices or for information about HLIs that directly interface with specific manufacturer Fire Alarm Control Panel (FACP) products.

Dimensions



For more information and support contact your local Xtralis office or VESDA distributor.

Specifications

Power Consumption	1.68 W (stable state i.e. no alarms and no fault conditions)
Supply Voltage	24 VDC
Current Consumption	70 mA
Dimensions	280 mm x 185 mm x 55 mm (11 in x 7.3 in x 2.2 in approx.)
Weight	2 kg (4.4 lbs)
Supplied With	RS-232 9-way serial cable (male-female) for connection to a PC (identical to VSP-509). All internal product connectors for power and communications.

Ordering Information

Ordering Code	Description
VHX-0200	Sliding Windows HLI (No modem capability)
VHX-0210	Sliding Windows HLI (With Dial In/Dial Out functionality)
VHX-1200	Wall-mounted HLI (Sliding Windows)
VHX-0300	Open Protocol HLI (Peer-to-Peer)
VHX-0310	Open Protocol HLI (Master-Slave)
VHX-1300	Wall-mounted Open Protocol HLI (Peer-to-Peer)
VHX-1310	Wall-mounted Open Protocol HLI (Master-Slave)
VSW-100	Xtralis VSC (Xtralis VSC is available on Xtralis website at www.xtralis.com)
VSP-509	VESDAlink 9-way serial cable (Spare part)