



The ICAM IAS Detectors are Point In A Box (PIAB) Aspirating Smoke Detection (ASD) solutions that incorporate conventional or analog addressable point detectors and meet the unique needs of many commercial and industrial applications. IAS applications are wide and varied including but not limited to roof spaces, under floor voids, elevator shafts and ducts, to name a few.

### How it Works

The IAS systems actively draw air from the protected area through sampling holes in a pipe network. Sampled air is then filtered before being analyzed by the conventional or analog point detectors incorporated in the systems. The IAS system is available with one inlet pipe (IAS-1) or two inlet pipes (IAS-2), and can be fitted with one or two detectors per system. A number of detector technology types (photoelectric, heat, CO etc.) from a range of leading technology providers may be used\*.

The systems utilize a high performance aspirator and software configurable flow monitoring circuitry. Air flow level is displayed on a ten element bar graph that can be adjusted for high and low flow thresholds, and flow failure is reported as a device fault via relays to the loop.

### Detection Strategies

The systems may be configured for a number of detection strategies including:

- single or dual addressable area detection
- redundant detection
- multi-criteria detection
- coincident or double-knock detection

Installer-specifiable point detectors offer benefits in simplicity of configuration and cost effectiveness. In circumstances where the premises are already protected by point detectors, the IAS system is easily introduced onto the existing fire alarm control panel signaling circuit by fitting equivalent detectors into the system\*.

\* Subject to IAS system approval for the fitted spot (point) detector

### Features

- Single or dual channel fire detection
- Multiple configuration options
- Multiple detection strategies
- Up to 70 m per sampling pipe
- Microprocessor controlled
- Highest fan capacity in its class
- Integral display and programmer
- Field serviceable air filter
- Adjustable aspirator speed with airflow monitoring
- IP65 enclosure

### Listings/Approvals

- ActivFire

Regional approvals listings and regulatory compliances vary between Xtralis product models. Refer to [www.xtralis.com](http://www.xtralis.com) for the latest product approvals matrix.

### Detector Configuration Options

Several configuration options are available for the IAS-1 and IAS-2 systems:

- IAS-1 system – one or two spot (point) detectors
- IAS-2 system – two spot (point) detectors

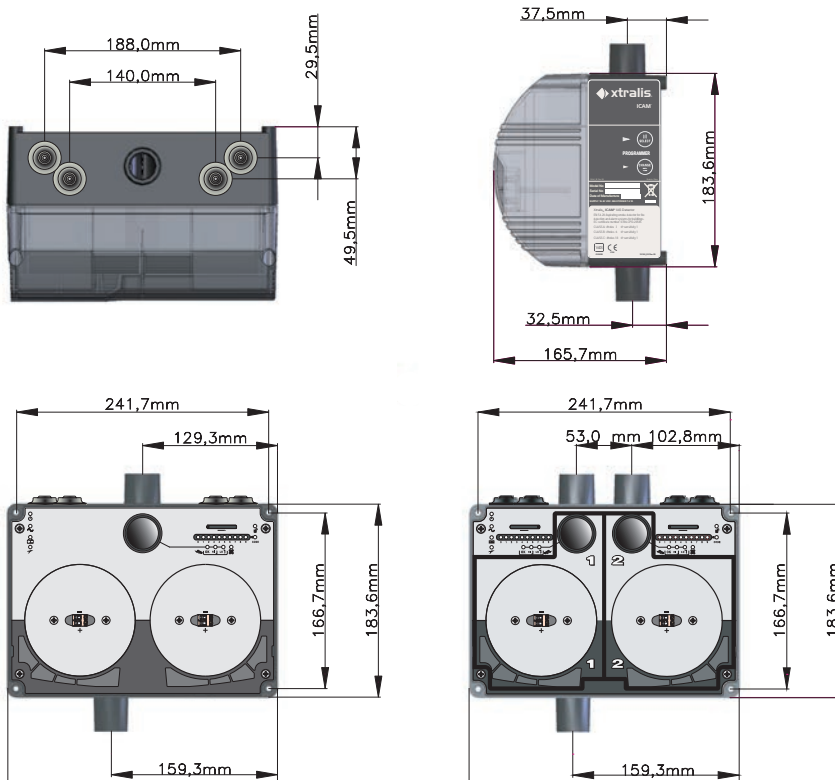
IAS-1 systems fitted with one spot (point) detector are capable of providing single area detection. However, IAS-1 and IAS-2 systems fitted with two detectors are able to provide a number of detection strategies. The table below describes the recommended configuration options for the selected detection strategy when two spot (point) detectors are fitted into an IAS system.

		IAS-1	IAS-2
Two Detector Strategy	Dual Addressable Areas		✓
	Redundancy	✓ (OR)	✓ (OR)
	Multi-criteria	✓ (OR / AND)	✓ (OR / AND)
	Coincident / Double-Knock †	✓ (AND)	✓ (AND)

† Subject to local codes and standards

Note: (OR / AND) represents the suggested boolean logic for combining two detectors to achieve detection strategy

### Dimensions



### Ordering Information

ICAM IAS-1 Single Channel - AU  
 ICAM IAS-2 Dual Channel - AU  
 Baffle for HOCHIKI ALG-AS  
 Baffle for NOTIFIER FSP-851  
 Baffle for TYCO 814PH

IAS-1-AU  
 IAS-2-AU  
 06-HK10  
 06-NF10  
 06-TY10

### Specifications

#### Approved detectors:

- HOCHIKI - ALG-AS
- NOTIFIER - FSP-851 AUS
- TYCO - 814PH

#### Supply Voltage:

24 VDC nominal (18 to 30 VDC)

Note that spot (point) detectors are powered from the signaling circuit

#### Current:

300 mA (max)

#### Dimensions (WHD):

259 mm x 184 mm x 166 mm

#### Operating Conditions:

Temperature: -10 to 60 °C

Humidity: 10 to 95% RH (non-condensing)

#### Inlet Pipe Size:

Outer Diameter: 25 mm

Inner Diameter: 21 mm

#### Sampling Network:

Maximum pipe lengths:

1 x 60 m, 2 x 35 m

#### IP Rating:

IP65

#### Filtration:

Serviceable filter

External filter optional

#### Flow Monitoring and Reporting:

High and Low adjustable

#### Fan:

Control: 10 programmable speeds

Pressure: 250 Pa

#### Relay outputs:

IAS-1 - 1 fault relay

IAS-2 - 2 fault relays

www.xtralis.com

UK and Europe +44 1442 242 330 D-A-CH +49 431 23284 1 The Americas +1 781 740 2223

Middle East +962 6 588 5622 Asia +86 21 5240 0077 Australia and New Zealand +61 3 9936 7000

The contents of this document are provided on an "as is" basis. No representation or warranty (either express or implied) is made as to the completeness, accuracy or reliability of the contents of this document. The manufacturer reserves the right to change designs or specifications without obligation and without further notice. Except as otherwise provided, all warranties, express or implied, including without limitation any implied warranties of merchantability and fitness for a particular purpose are expressly excluded.

Xtralis, Xtralis logo, The Sooner You Know, VESDA, ICAM, ECO, OSID, HaiTel, ADPRO, IntrusionTrace, and LoiterTrace are trademarks and/or registered trademarks of Xtralis and/or its subsidiaries in the United States and/or other countries. Other brand names mentioned herein are for identification purposes only and may be trademarks of their respective holder(s). Your use of this document does not constitute or create a licence or any other right to use the name and/or trademark and/or label.

This document is subject to copyright owned by Xtralis. You agree not to copy, communicate to the public, adapt, distribute, transfer, sell, modify or publish any contents of this document without the express prior written consent of Xtralis.

Doc. no. 27436\_00

Part no. 30593