

Flush Mount Sampling Point

VSP-877 & VSP-878



Features

- Suitable for all Xtralis Aspirating Smoke Detectors providing a standard solution
- Unique wing-lock arrangement permits installation from bottom side of ceiling which is ideal for fixed ceilings where access to the other side would be difficult or otherwise impossible
- Adjustable wing-lock height to accommodate different ceiling panel thicknesses
- Incorporates text compliant with codes and standards
- Designed for secure connection through push fit
- Accommodates several capillary tube sizes including 6 mm, 8 mm, 10 mm and ½" to suit various regional requirements
- Accommodates an optional Push-in Connect Adaptor for the Americas, ½" capillary tubing for increased robustness
- Flush mount design provides less obtrusive installation and improved aesthetics
- Standard 2 mm (5/64") pilot sampling hole which can be drilled out up to 5 mm (13/64") as per system design calculations
- Tapered sampling hole helps resist clogging
- Snap-fit fascia conceals sampling hole which is easily removable to permit cleaning if required
- RoHS/REACH compliant

Introduction

The Flush Mount Sampling Point (patent pending) provides a functionally and aesthetically improved alternative to the conical sampling point used in Xtralis Aspirating Smoke Detection (ASD) pipe networks.

Description

Unlike the conical sampling point, the Flush Mount Sampling Point provides an easier and faster installation due to its unique design, allowing the installation to be completed from one side of a ceiling. It incorporates text (XTRALIS FIRE DETECTION SYSTEM – DO NOT PAINT) complying with codes and standards.

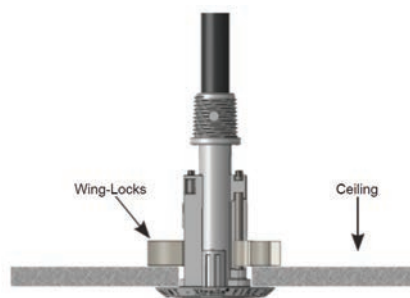
Designed for secure connection through push fit, the sampling point accommodates the various regional capillary tube sizes (6 mm, 8 mm, 10 mm and ½") commonly used with Xtralis ASD pipe networks making it deployable in all regions. It also accommodates an optional push-in connect adaptor kit (VSP-878) for the Americas for increased robustness when used with larger diameter ½" capillary tubing.

Its elegant flush design blends in seamlessly into the installation providing considerably improved aesthetics.

How it Works

Removing the snap-fit fascia of the Flush Mount sampling point reveals two screws, which are threaded into wing-locks located on the other side of the sampling point. As the screws get tightened the wing-locks clamp the sampling point onto the ceiling until fully anchored.

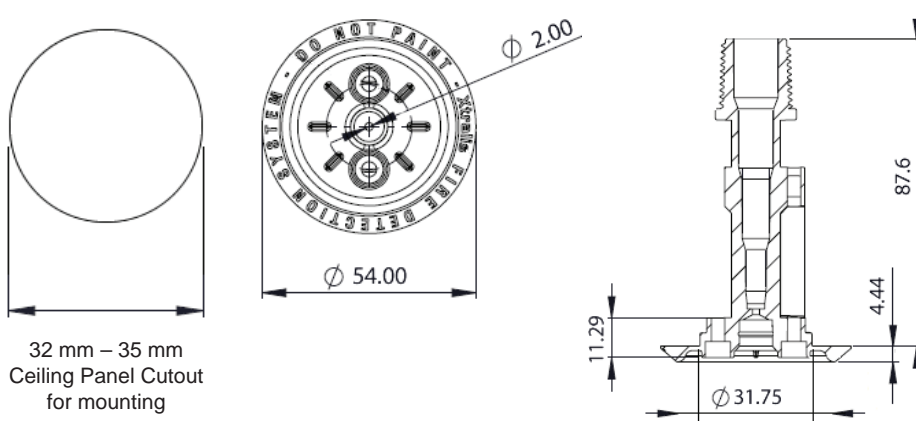
The sampling point comes with a standard 2 mm (5/64") pilot hole which can be increased up to 5 mm (13/64") to suit system design as per ASPIRE calculations.



Flush Mount Sampling Point

VSP-877 & VSP-878

Dimensions (mm)



32 mm – 35 mm
Ceiling Panel Cutout
for mounting

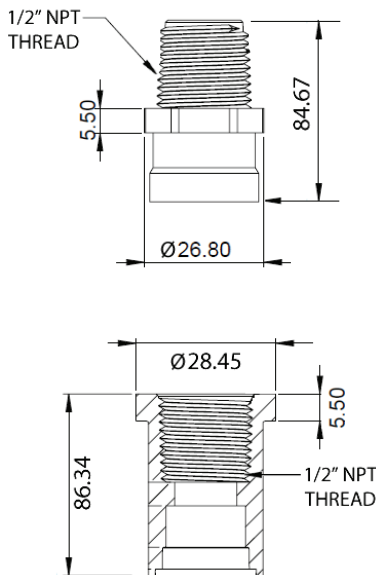
VSP-877 Technical Specifications

Dimensions: 92 x 54 mm (3.7" x 2.13")
Capillary Diameter: 6, 8, 10 mm, 1/2"
Material: RoHS/REACH compliant
Color: White 80258

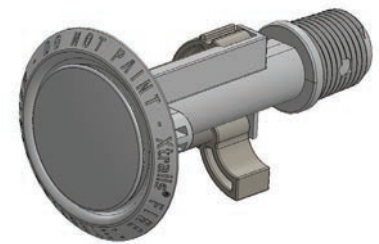
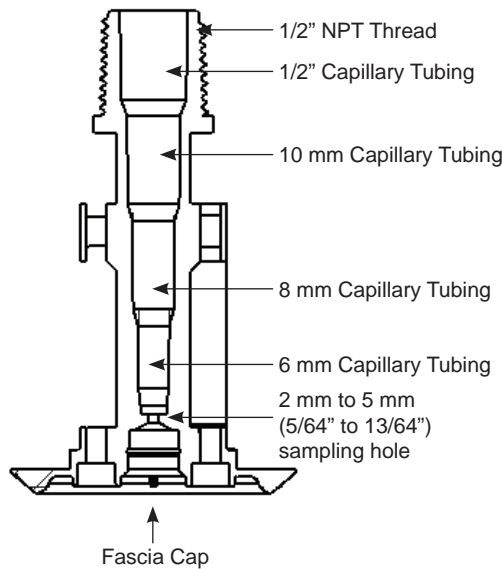
VSP-878 Technical Specifications

Dimensions (male): 84.67 mm x Ø26.8 mm
 (3.33" x Ø 1.06")
Dimensions (female): 86.34 mm x Ø28.45 mm
 (3.4" x Ø1.12")
Capillary Diameter: 1/2"
Material: RoHS/REACH compliant
Color: White 80258

VSP-878 Dimensions



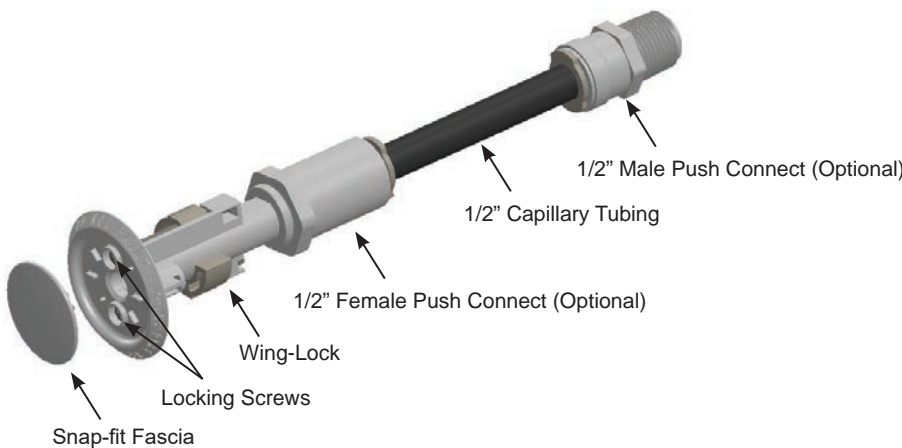
VSP-877 Cross Section View



VSP-877
Flush Mount Sampling Point



VSP-878
Push-in Connect Adaptor Kit for
1/2" Capillary Tubing



Ordering Information

Flush Mount Sampling Point	VSP-877
Flush Mount Sampling Point (Black)	VSP-877-B
Flush Mount Sampling Point (Grey)	VSP-877-G
Push-in Connect Adaptor Kit for 1/2" capillary tubing	VSP-878

www.xtralis.com

UK and Europe +44 1442 242 330 The Americas +1 800 229 4434

Middle East +962 6 588 5622 Asia +86 21 5240 0077 Australia and New Zealand +61 3 9936 7000

The contents of this document are provided on an "as is" basis. No representation or warranty (either express or implied) is made as to the completeness, accuracy or reliability of the contents of this document. The manufacturer reserves the right to change designs or specifications without obligation and without further notice. Except as otherwise provided, all warranties, express or implied, including without limitation any implied warranties of merchantability and fitness for a particular purpose are expressly excluded.

Xtralis, the Xtralis logo, The Sooner You Know, VESDA-E, VESDA, ICAM, ECO, OSID, HeiTel, ADPRO, IntrusionTrace, LoiterTrace, ClientTrace, SmokeTrace, XOa, XOh, iTrace, iCommand, iRespond, iCommission, iPIR, and FMST are trademarks and/or registered trademarks of Xtralis and/or its subsidiaries in the United States and/or other countries. Other brand names mentioned herein are for identification purposes only and may be trademarks of their respective holder(s). Your use of this document does not constitute or create a licence or any other right to use the name and/or trademark and/or label.

This document is subject to copyright owned by Xtralis. You agree not to copy, communicate to the public, adapt, distribute, transfer, sell, modify or publish any contents of this document without the express prior written consent of Xtralis.

Doc. no. 32188_02

Part: 30744

